

Housing (Surface Mouting), 32B Size PG 29 DSE-DL Double Entry

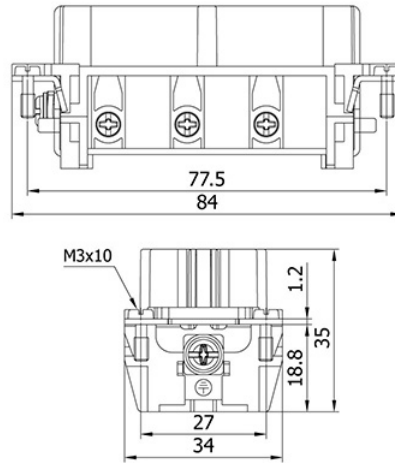
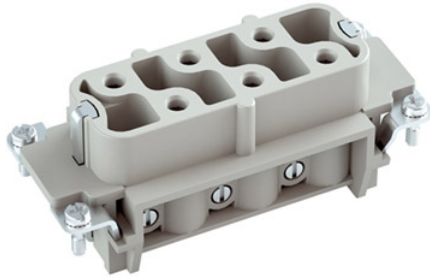
Product Code: 29082S

METECON - Housing (Surface Mouting)-32B Size, Double Lever, Double Side Entry, 2x PG 29, Low Construction, Color:Grey,Material: Aluminum, Protection Degree: 65



Technical Information

| Version: | |
|--------------------------------|-----------------------------|
| Number of Entries | 2 |
| Enclosure Type | Housing (Surface Mouting) |
| Size | 32B |
| Locking Type | Double Lever |
| Cable Entry Size | PG 29 |
| Cable Entry Postition | Double Side Entry |
| Style | Low Construction |
| Gasket | Available |
| Technical Characteristics: | |
| IP Degree | 65 |
| Temperature Range | -40 ... +125 °C |
| Material Properties: | |
| Material | Aluminum |
| Paint (Hood & Housing) | Powder - Coated |
| Material (Gasket) | NBR |
| Material (Lever) | Scoured Steel Plate |
| Color | Grey |
| RoHS | compliant with exemption |
| Certificateion: | |
| Certificates | TSE CE |
| Commercial Data: | |
| Packaging Size | 4 |
| Net weight per unit (gr) | |
| Country of origin | Turkey |
| European customs tariff number | 85389099 |
| EAN13 Code | 8699011014384 |



12P+E - HSB Series - Female Insert

Product Code: 29128

METECON Insert -HSB Series , 12P+E, Screw termination, Female, Back Entry, 35 A, 400 V /690 V, 6kV, Size:32B, Contacts:12P, PBT, Connector Material: Brass (Silver Plated), Grey - RAL 7044 Cable Cross Section: 1.5...6 mm²



Technical Information

| Version: | |
|---|--------------------------|
| Termination method | Screw termination |
| Gender | Female |
| Series | HSB Series |
| Related Hood and Housing Size | 16B |
| Numer of Poles | 6P+E |
| Technical Characteristics: | |
| Cable section | 1.5...6 mm ² |
| Cable Entry | Back |
| Rated current | 35 A |
| Rated voltage conductor-earth | 400 V |
| Rated voltage conductor-conductor | 690 V |
| Rated impulse voltage | 6kV |
| Rated voltage acc. to UL | 600V |
| Insulation resistance | ≥10 ¹⁰ Ω |
| Contact Resistance | ≤1mΩ |
| Operating temperature | -40 ... +125 °C |
| Stripping length | 7 mm |
| Tightening torque | 1.2 Nm |
| Mechanical Working Life | ≥500 |
| AWG | 10 |
| Pollution Degree | 3 |
| Material Properties: | |
| Material (insert) | PBT |
| Colour (insert) | Grey - RAL 7044 |
| Material (Contact) | Brass (Silver Plated) |
| Material flammability class acc. to UL 94 | V-0 |
| RoHS | compliant with exemption |
| Certificateion: | |
| Application Standards | IEC 61984 / UL 1977 |
| Certificates | UL cUL TSE |
| Commercial Data: | |
| Packaging Size | 30 |
| Net weight per unit (gr) | 80 |
| Country of origin | Turkey |
| European customs tariff number | 8536.69.90.00.18 |
| EAN13 Code | 8699011000561 |



2P+E - A Series - Male Insert

Product Code: 29005

METECON Insert -A Series , 2P+E, Screw termination, Male, Side Entry, 10 A, 230 V, 4 kV, Size:3A, Contacts:2P, Polycarbonate (PC), Connector Material: Brass (Silver Plated), Grey - RAL 7044 Cable Cross Section: 1.0 ... 2.5 mm²



Technical Information

| Version: | |
|---|--------------------------|
| Termination method | Screw termination |
| Gender | Female |
| Series | HSB Series |
| Related Hood and Housing Size | 32B |
| Numer of Poles | 12P+E |
| Technical Characteristics: | |
| Cable section | 1.5...6 mm ² |
| Cable Entry | Back |
| Rated current | 35 A |
| Rated voltage conductor-earth | 400 V |
| Rated voltage conductor-conductor | 690 V |
| Rated impulse voltage | 6kV |
| Rated voltage acc. to UL | 600V |
| Insulation resistance | ≥10 ¹⁰ Ω |
| Contact Resistance | ≤1mΩ |
| Operating temperature | -40 ... +125 °C |
| Stripping length | 7 mm |
| Tightening torque | 1.2 Nm |
| Mechanical Working Life | ≥500 |
| AWG | 10 |
| Pollution Degree | 3 |
| Material Properties: | |
| Material (insert) | PBT |
| Colour (insert) | Grey - RAL 7044 |
| Material (Contact) | Brass (Silver Plated) |
| Material flammability class acc. to UL 94 | V-0 |
| RoHS | compliant with exemption |
| Certificateion: | |
| Application Standards | IEC 61984 / UL 1977 |
| Certificates | UL cUL TSE |
| Commercial Data: | |
| Packaging Size | 30 |
| Net weight per unit (gr) | 80 |
| Country of origin | Turkey |
| European customs tariff number | 8536.69.90.00.18 |
| EAN13 Code | |

METE ENERJİ A.Ş.

Address:

10007 Sk. No 34 A.O.S.B 35620 Çiğli, İzmir, Türkiye
Tel: +90 (232) 376 86 86