

Housing (Surface Mouting), 32B Size PG 29 SE-DL

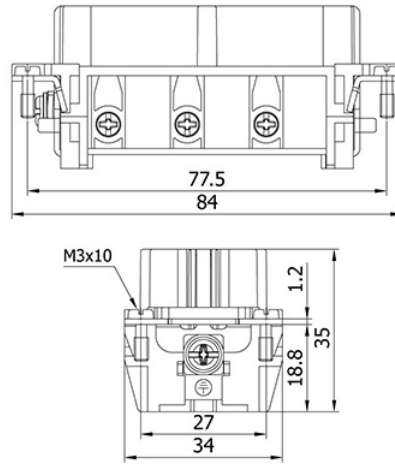
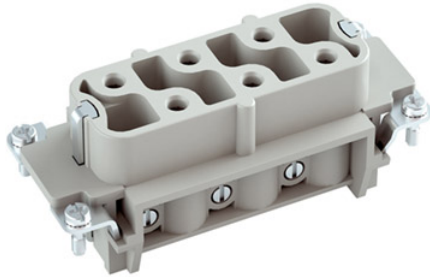
Product Code: 29081S

METECON - Housing (Surface Mouting)-32B Size, Double Lever, Side Entry, 1x PG 29, Low Construction, Color:Grey,Material: Aluminum, Protection Degree: 65



Technical Information

Version:	
Number of Entries	1
Enclosure Type	Housing (Surface Mouting)
Size	32B
Locking Type	Double Lever
Cable Entry Size	PG 29
Cable Entry Postition	Side Entry
Style	Low Construction
Gasket	Available
Technical Characteristics:	
IP Degree	65
Temperature Range	-40 ... +125 °C
Material Properties:	
Material	Aluminum
Paint (Hood & Housing)	Powder - Coated
Material (Gasket)	NBR
Material (Lever)	Scoured Steel Plate
Color	Grey
RoHS	compliant with exemption
Certificateion:	
Certificates	TSE CE
Commercial Data:	
Packaging Size	4
Net weight per unit (gr)	328
Country of origin	Turkey
European customs tariff number	85389099
EAN13 Code	8699011014391



12P+E - HSB Series - Female Insert

Product Code: 29128

METECON Insert -HSB Series , 12P+E, Screw termination, Female, Back Entry, 35 A, 400 V /690 V, 6kV, Size:32B, Contacts:12P, PBT, Connector Material: Brass (Silver Plated), Grey - RAL 7044 Cable Cross Section: 1.5...6 mm²



Technical Information

Version:	
Termination method	Screw termination
Gender	Female
Series	HSB Series
Related Hood and Housing Size	16B
Numer of Poles	6P+E
Technical Characteristics:	
Cable section	1.5...6 mm ²
Cable Entry	Back
Rated current	35 A
Rated voltage conductor-earth	400 V
Rated voltage conductor-conductor	690 V
Rated impulse voltage	6kV
Rated voltage acc. to UL	600V
Insulation resistance	≥10 ¹⁰ Ω
Contact Resistance	≤1mΩ
Operating temperature	-40 ... +125 °C
Stripping length	7 mm
Tightening torque	1.2 Nm
Mechanical Working Life	≥500
AWG	10
Pollution Degree	3
Material Propoerties:	
Material (insert)	PBT
Colour (insert)	Grey - RAL 7044
Material (Contact)	Brass (Silver Plated)
Material flammability class acc. to UL 94	V-0
RoHS	compliant with exemption
Certificateion:	
Application Standards	IEC 61984 / UL 1977
Certificates	UL cUL TSE
Commercial Data:	
Packaging Size	30
Net weight per unit (gr)	80
Country of origin	Turkey
European customs tariff number	8536.69.90.00.18
EAN13 Code	8699011000561



2P+E - A Series - Male Insert

Product Code: 29005

METECON Insert -A Series , 2P+E, Screw termination, Male, Side Entry, 10 A, 230 V, 4 kV, Size:3A, Contacts:2P, Polycarbonate (PC), Connector Material: Brass (Silver Plated), Grey - RAL 7044 Cable Cross Section: 1.0 ... 2.5 mm²



Technical Information

Version:	
Termination method	Screw termination
Gender	Female
Series	HSB Series
Related Hood and Housing Size	32B
Numer of Poles	12P+E
Technical Characteristics:	
Cable section	1.5...6 mm ²
Cable Entry	Back
Rated current	35 A
Rated voltage conductor-earth	400 V
Rated voltage conductor-conductor	690 V
Rated impulse voltage	6kV
Rated voltage acc. to UL	600V
Insulation resistance	≥10 ¹⁰ Ω
Contact Resistance	≤1mΩ
Operating temperature	-40 ... +125 °C
Stripping length	7 mm
Tightening torque	1.2 Nm
Mechanical Working Life	≥500
AWG	10
Pollution Degree	3
Material Properties:	
Material (insert)	PBT
Colour (insert)	Grey - RAL 7044
Material (Contact)	Brass (Silver Plated)
Material flammability class acc. to UL 94	V-0
RoHS	compliant with exemption
Certificateion:	
Application Standards	IEC 61984 / UL 1977
Certificates	UL cUL TSE
Commercial Data:	
Packaging Size	30
Net weight per unit (gr)	80
Country of origin	Turkey
European customs tariff number	8536.69.90.00.18
EAN13 Code	

METE ENERJİ A.Ş.

Address:

10007 Sk. No 34 A.O.S.B 35620 Çiğli, İzmir, Türkiye
Tel: +90 (232) 376 86 86