

Hood, 16B Size PG 21 TE-DL

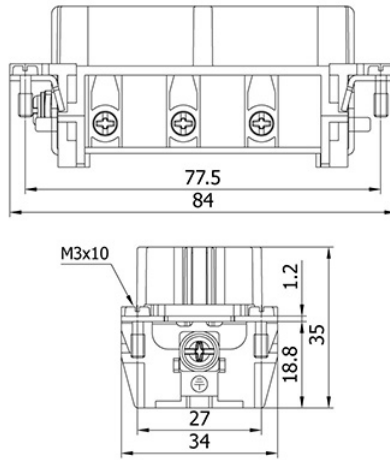
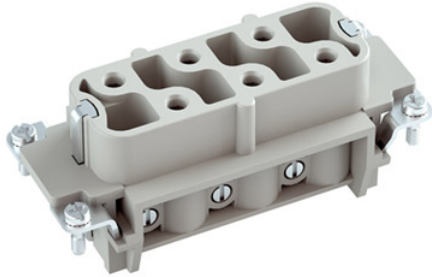
Product Code: 29155

METECON - Hood-16B Size, Double Lever, Top Entry, 1x PG 21, Low Construction, Color:Grey,Material: Aluminum, Protection Degree: 65



Technical Information

Version:	
Number of Entries	1
Enclosure Type	Hood
Size	16B
Locking Type	Double Lever
Cable Entry Size	PG 21
Cable Entry Position	Top Entry
Style	Low Construction
Gasket	N/A
Technical Characteristics:	
IP Degree	65
Temperature Range	-40 ... +125 °C
Material Properties:	
Material	Aluminum
Paint (Hood & Housing)	Powder - Coated
Material (Gasket)	-
Material (Lever)	N/A
Color	Grey
RoHS	compliant with exemption
Certificateion:	
Certificates	TSE CE
Commercial Data:	
Packaging Size	12
Net weight per unit (gr)	165
Country of origin	Turkey
European customs tariff number	85389099
EAN13 Code	8699011000691



6P+E - HSB Series - Female Insert

Product Code: 29124

METECON Insert -HSB Series , 6P+E, Screw termination, Female, Back Entry, 35 A, 400 V /690 V, 6kV, Size:16B, Contacts:6P, PBT, Connector Material: Brass (Silver Plated), Grey - RAL 7044 Cable Cross Section: 1.5...6 mm²



Technical Information

Version:	
Termination method	Screw termination
Gender	Female
Series	HSB Series
Related Hood and Housing Size	16B
Numer of Poles	6P+E
Technical Characteristics:	
Cable section	1.5...6 mm ²
Cable Entry	Back
Rated current	35 A
Rated voltage conductor-earth	400 V
Rated voltage conductor-conductor	690 V
Rated impulse voltage	6kV
Rated voltage acc. to UL	600V
Insulation resistance	≥10 ¹⁰ Ω
Contact Resistance	≤1mΩ
Operating temperature	-40 ... +125 °C
Stripping length	7 mm
Tightening torque	1.2 Nm
Mechanical Working Life	≥500
AWG	10
Pollution Degree	3
Material Properties:	
Material (insert)	PBT
Colour (insert)	Grey - RAL 7044
Material (Contact)	Brass (Silver Plated)
Material flammability class acc. to UL 94	V-0
RoHS	compliant with exemption
Certificateion:	
Application Standards	IEC 61984 / UL 1977
Certificates	UL cUL TSE
Commercial Data:	
Packaging Size	30
Net weight per unit (gr)	80
Country of origin	Turkey
European customs tariff number	8536.69.90.00.18
EAN13 Code	8699011000561

METE ENERJİ A.Ş.

Address:

10007 Sk. No 34 A.O.S.B 35620 Çiğli, İzmir, Türkiye
Tel: +90 (232) 376 86 86