

Hood, 16B Size PG 21 SE-DL

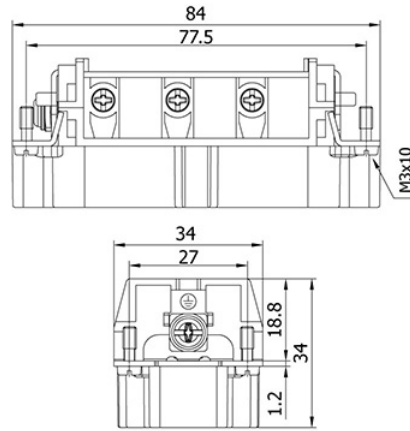
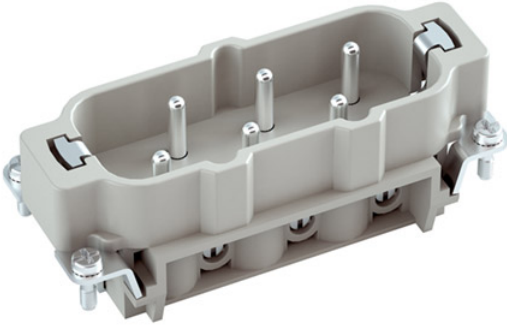
Product Code: 29043

METECON - Hood-16B Size, Double Lever, Side Entry, 1x PG 21, Low Construction, Color:Grey,Material: Aluminum, Protection Degree: 65



Technical Information

| Version: | |
|--------------------------------|--------------------------|
| Number of Entries | 1 |
| Enclosure Type | Hood |
| Size | 16B |
| Locking Type | Double Lever |
| Cable Entry Size | PG 21 |
| Cable Entry Position | Side Entry |
| Style | Low Construction |
| Gasket | N/A |
| Technical Characteristics: | |
| IP Degree | 65 |
| Temperature Range | -40 ... +125 °C |
| Material Properties: | |
| Material | Aluminum |
| Paint (Hood & Housing) | Powder - Coated |
| Material (Gasket) | - |
| Material (Lever) | N/A |
| Color | Grey |
| RoHS | compliant with exemption |
| Certificateion: | |
| Certificates | TSE CE |
| Commercial Data: | |
| Packaging Size | 12 |
| Net weight per unit (gr) | 183 |
| Country of origin | Turkey |
| European customs tariff number | 85389099 |
| EAN13 Code | 8699011000240 |



6P+E - HSB Series - Male Insert

Product Code: 29125

METECON Insert -HSB Series , 6P+E, Screw termination, Male, Back Entry, 35 A, 400 V /690 V, 6kV, Size:16B, Contacts:6P, PBT, Connector Material: Brass (Silver Plated), Grey - RAL 7044 Cable Cross Section: 1.5...6 mm²



Technical Information

| Version: | |
|---|--------------------------|
| Termination method | Screw termination |
| Gender | Male |
| Series | HSB Series |
| Related Hood and Housing Size | 16B |
| Numer of Poles | 6P+E |
| Technical Characteristics: | |
| Cable section | 1.5...6 mm ² |
| Cable Entry | Back |
| Rated current | 35 A |
| Rated voltage conductor-earth | 400 V |
| Rated voltage conductor-conductor | 690 V |
| Rated impulse voltage | 6kV |
| Rated voltage acc. to UL | 600V |
| Insulation resistance | ≥10 ¹⁰ Ω |
| Contact Resistance | ≤1mΩ |
| Operating temperature | -40 ... +125 °C |
| Stripping length | 7 mm |
| Tightening torque | 1.2 Nm |
| Mechanical Working Life | ≥500 |
| AWG | 10 |
| Pollution Degree | 3 |
| Material Properties: | |
| Material (insert) | PBT |
| Colour (insert) | Grey - RAL 7044 |
| Material (Contact) | Brass (Silver Plated) |
| Material flammability class acc. to UL 94 | V-0 |
| RoHS | compliant with exemption |
| Certificateion: | |
| Application Standards | IEC 61984 / UL 1977 |
| Certificates | UL cUL TSE |
| Commercial Data: | |
| Packaging Size | 30 |
| Net weight per unit (gr) | 80 |
| Country of origin | Turkey |
| European customs tariff number | 8536.69.90.00.18 |
| EAN13 Code | 8699011000578 |

METE ENERJİ A.Ş.

Address:

10007 Sk. No 34 A.O.S.B 35620 Çiğli, İzmir, Türkiye
Tel: +90 (232) 376 86 86