

NH-Fuse switch disconnector

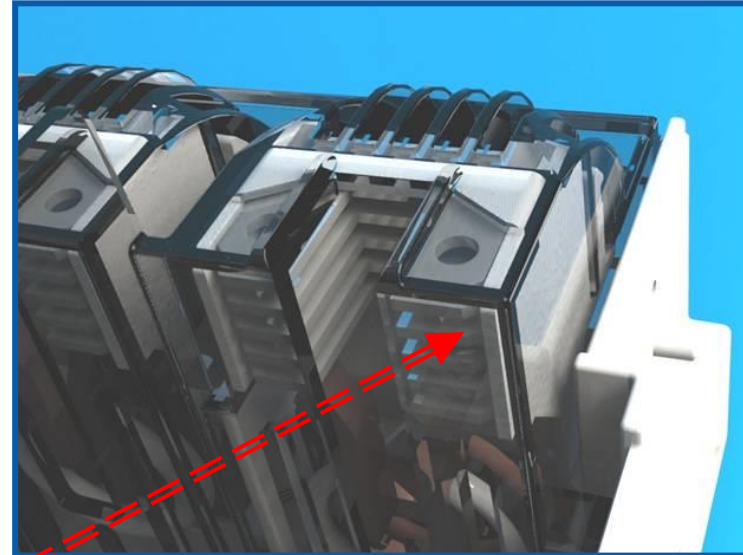
- ▶ RBK 00 i RBK 00 pro



New RBK 00

▶ AC23B 160 A 690 V

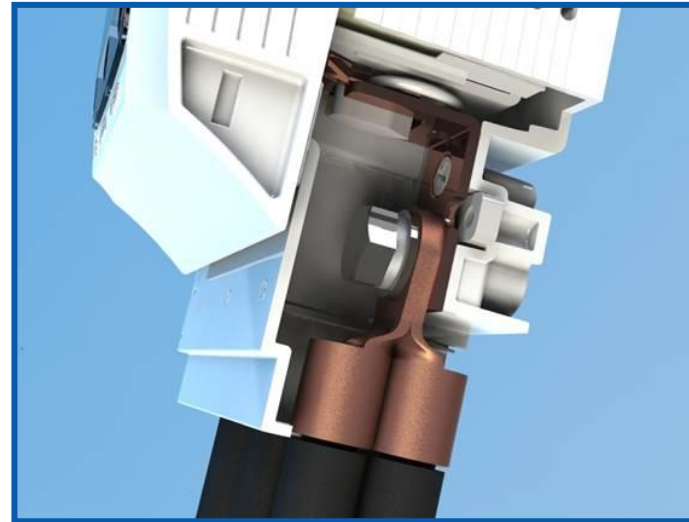
▶ DC22B 160 A 250 V



**Arc chutes of RBK 00 are equipped
with steel deionization plates**

RBK 00

RBK 00 allows to connect two cables up to 70 mm² per phase with lug cable terminals.



RBK 00

Installation :
For bottom fitting
(on to mounting plate)

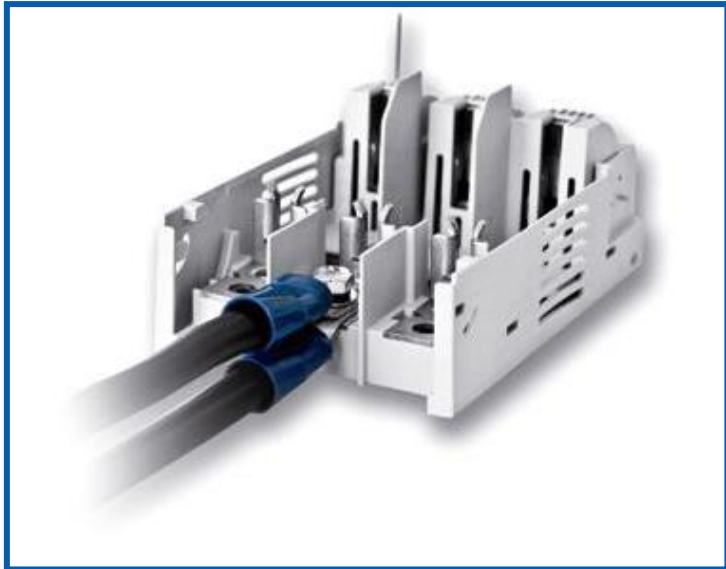


Installation :
The disconnect
for mounting on 125 mm DIN rails
or for mounting on 150 mm DIN rails



RBK 00

Varieties of terminals



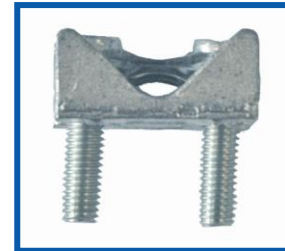
terminal screws

(cable lugs up to 70 mm²)



bridge clamps

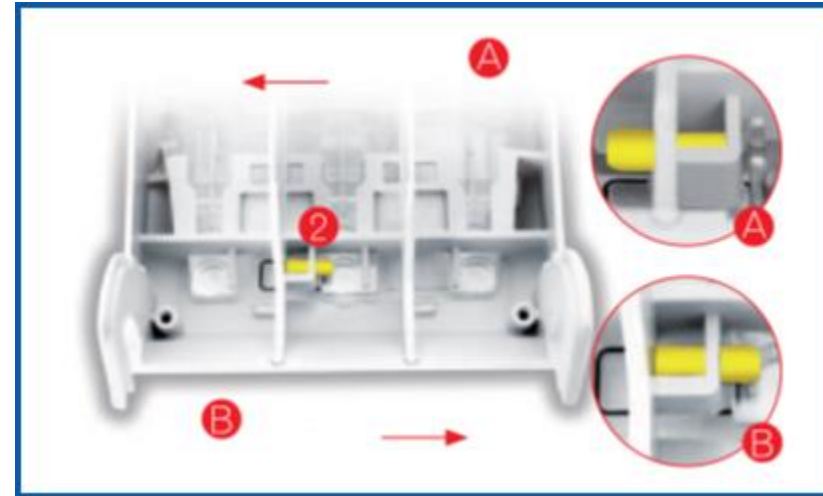
(round conductors Cu/Al 4-50 mm²)



V-shaped terminals

(V-shaped conductors Cu/Al up to 95 mm²)

RBK 00



1. Pin for releasing of fuse links
2. Pin for blockade of test holes
3. Slide locking of voltage test holes
4. Diameter of test hole - $\varnothing 7$ mm
5. Sealing of disconnecter



RBK 00



RBK 00-W

Enlarge terminals covers



Additional terminals covers

RBK00-X 160 A/690 V~

Fuse switch disconnecter with fuse monitoring

Features:

- ▶ Remote control of fuse links
- ▶ Remote control of phases of power supply voltage
- ▶ Visual control of operation of fuse switch disconnecter



RBK1-X (250 A)

RBK2-X (400 A)

Available on request !