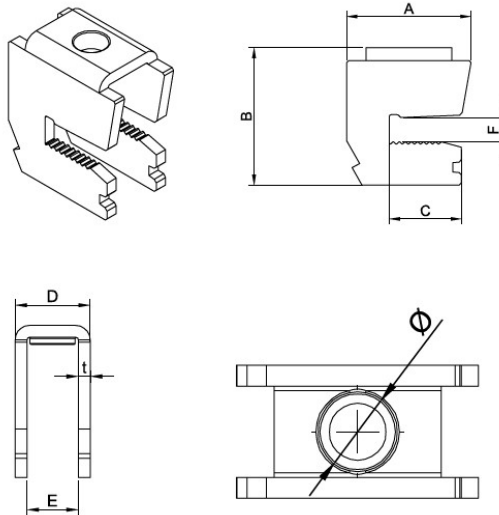


Onka®

SK35 F10 CONNECTION TERMINAL for CU-BUSBARS 1,5-35mm²



Product code: 2143



Dimensions

Dimensions (mm)	
Descriptions	SK35F10,1.5 - 35 mm ²
Current (A)	270
Voltage (V)	690
A (mm)	29
B (mm)	36
C (mm)	17

D (mm)	16
E (mm)	11
F (mm)	10.9
t (mm)	2.5
Ø	M8
Connecting Screw	SW13/PZ3
Pcs/ Box	50

Materials

Body	DKP
Screw	Steel
Spring	DKP
Fixing spring	Stainless steel